



U Serie

Audio Connector



... The Toughest solution for audio applications !

Catalog



◆ Description

The U audio connectors with 10 contacts and with bayonet locking are used for the connection of microphones and of loudspeakers for military radio transmitters. They are tough and corrosion-resistant, and are equipped with self-cleaning contacts.

These connectors comply with the following standard :
MIL C 10544 A.



◆ Applications



Radios

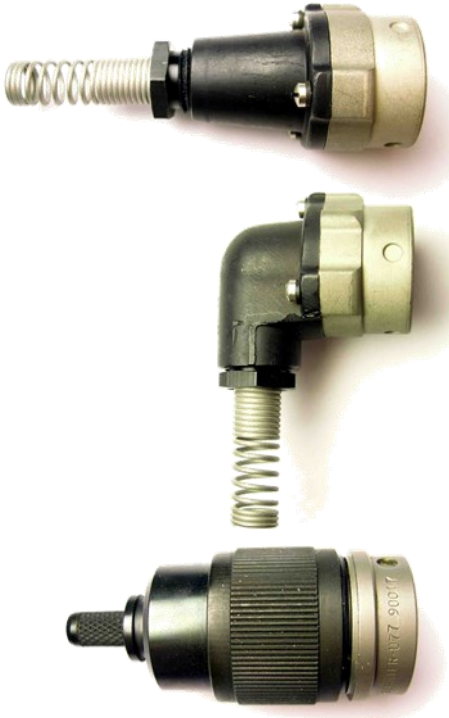


Accessories



Intercoms

Plug
On cable



Receptacle
On panel



Metallic extension and receptacle cap



Metallic plug cap



◆ Climatic and mechanical characteristics

	U
Unlocking system	Bayonet
Operating temperature	-55°C to +85°C
Endurance	1 500 Opérations
Sealing performance	IP68 (connected and disconnected)
Corrosion resistance	Salt fog : 96 hours (Stainless steel)
Fluids resistance	Oils and hydrocarbons

◆ Electrical characteristics

	U
Working voltage	100 V _{eff} maxi
Current rating per contact	1 A _{max}
Insulation resistance	>1000 MOhms under 100 V _{cc}
Contact type	Solder cup / For PCB
Contact resistance	≤ 15 mOhms at 25°C
Dielectric	500 V _{eff} , 50 Hz, 1min.
Gauge (AWG)	16

◆ Material and Plating

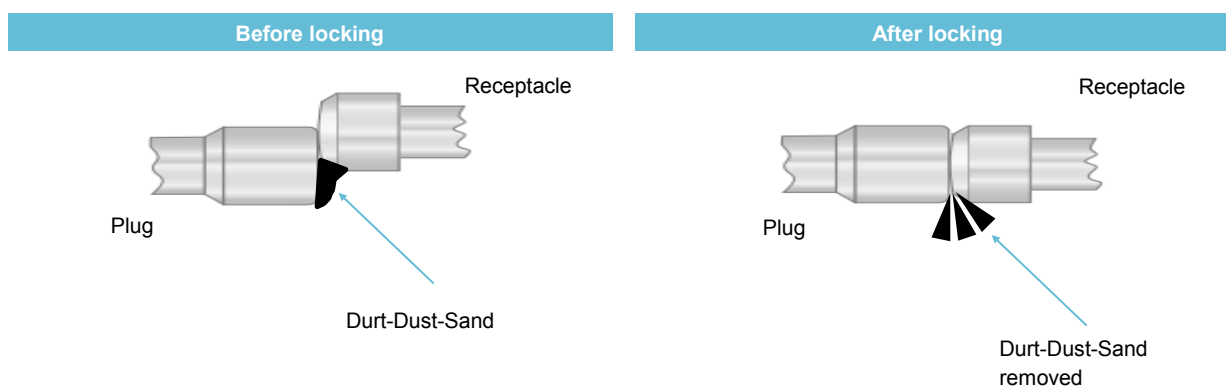
	Material	Plating
Connector shell	Stainless steel	-
Insulator	Thermosetting	-
Contacts	Copper alloy	Gold overnickel / silver
Backshell shell	Aluminium	Black Anodization / Black Chrome



◆ Weights

Type	Weights (grams)
Fiche (77, 127)	66 g (U77) 70 g (U127)
Prolongateur (78)	92 g
Embase (79)	58 g
Embase à verrouillage (80)	54 g
Bouchon U79 90001	21 g
Bouchon U79 90002	24 g
Bouchon U79 90003	8 g
Bouchon U79 90004	9 g
Bouchon U79 90006	11 g

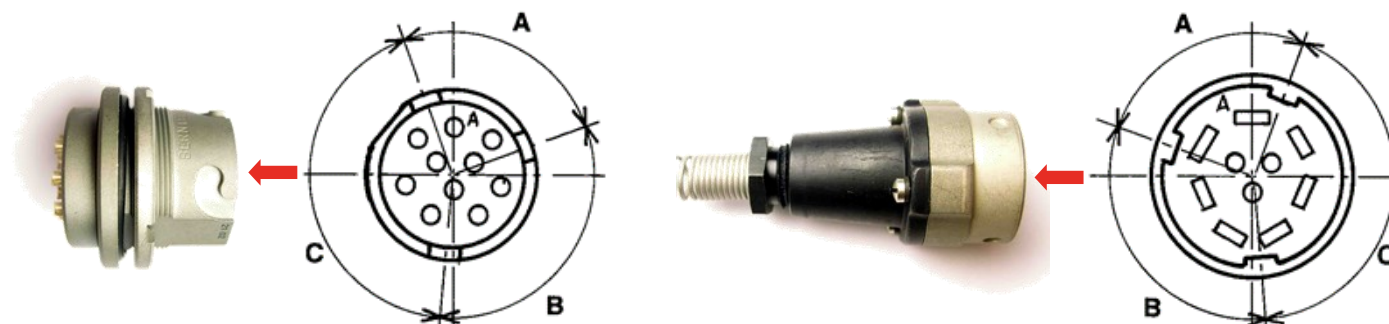
◆ Self cleaning contact technology



◆ Keyways

A	B	C
90 °	105 °	120 °

- Front view -



◆ Connectors

Description	Code	U	77	/U	MC4
Serie	U	↑			
Connector type : Plug with straight backshell Plug with elbow backshell - Receptacle Panel plug Panel through Dummy receptacle	77 127 79 80 81 82		↑		
Contact types : Solder cup For PCB	/U /UP			↑	
Backshell type : Spring Ø7 (no code) Sleeve Ø4 Sleeve Ø7 Straight backshell and cable shield continuity Backshell with knurling diam.5.8mm	MC4 MC7 -B550 -90017				↑

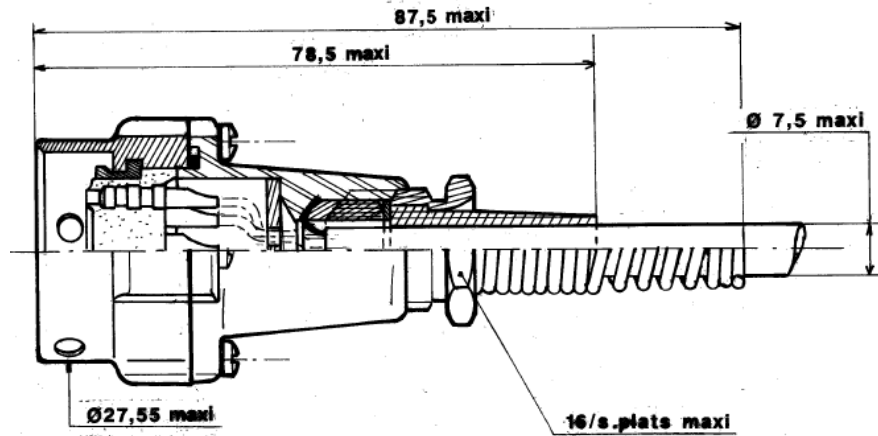
◆ Caps

Description	Code	U79	9000	XX
Cap type : For receptacle	U79	↑		
For plug	U77			
Material : Metallic Plastic	9000 -B586		↑	
Termination : Contact us	XX			↑

◆ Plugs with straight backshell



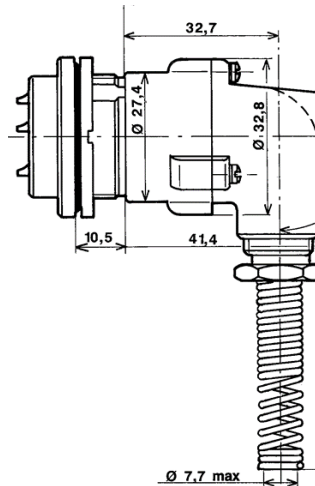
Ex: U77/U



◆ Plug with 90° elbow backshell



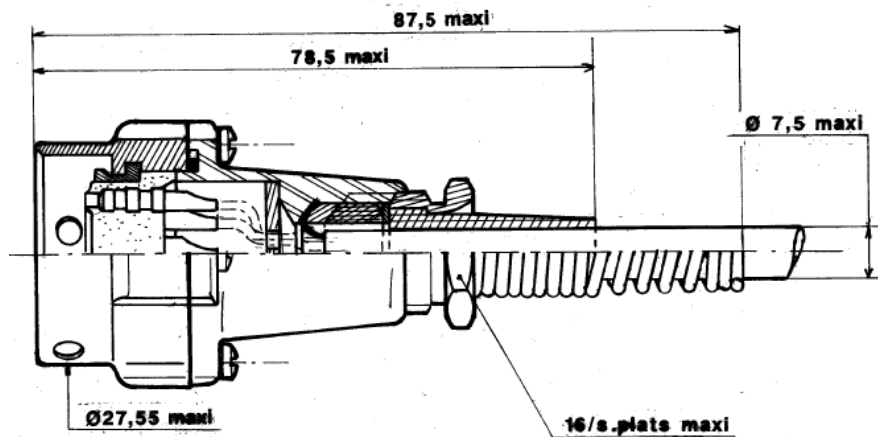
Ex: U127/U



◆ Plug with straight backshell and cable shield continuity



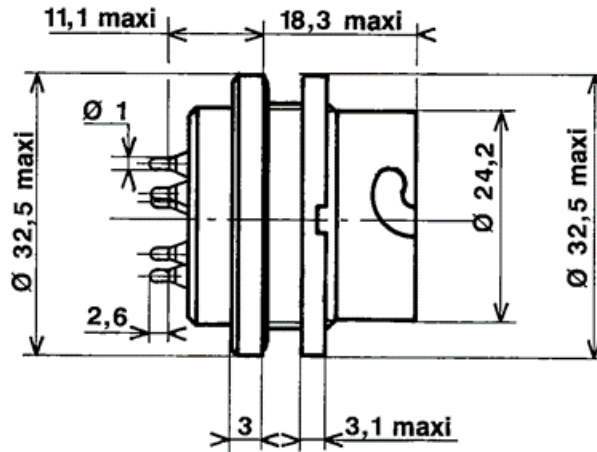
Ex: U77/U-B550



◆ Receptacle with contacts for PCB



Ex: U79/UP

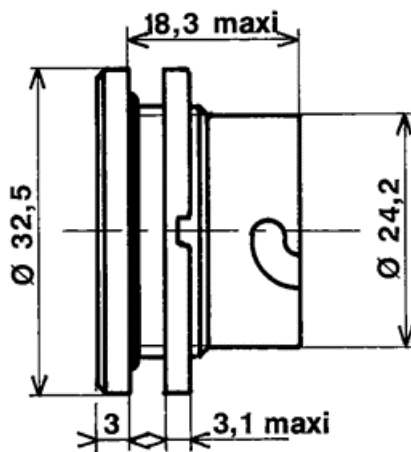


Version with solder bucket possible

◆ Dummy receptacle

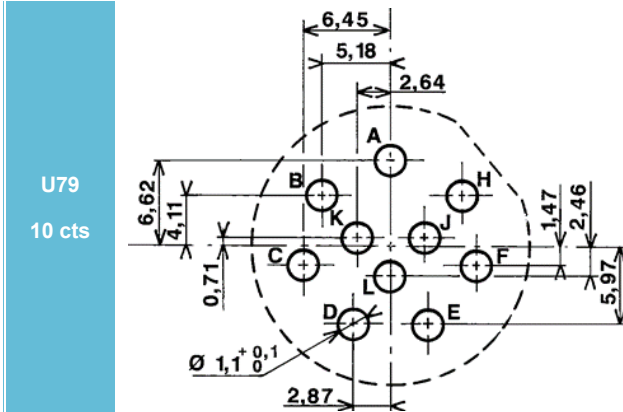


Ex: U-82

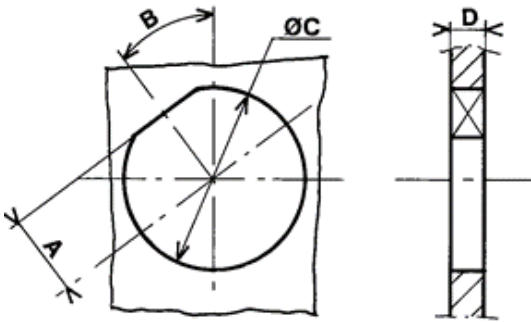


◆ PCB holing

Welding side



◆ Panel cut



Receptacle type	$\varnothing A^{+0.1}$	$B^{+0.1}$	$\varnothing C^{+0.1}$	D maxi
Receptacle (79, 82)	11.7	50	25.45	4.5
Receptacle (80)	12.4	38° 30'	27.1	4.5

◆ Caps



◆ Terminations

Some terminations can accept several lanyards

Plastic clamp



Ferule



Metallic ring



Eyelet for M3 screw



Crimped eyelet for M3 screw

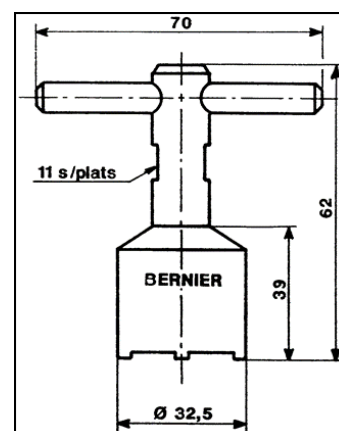


90° crimped eyelet for M3 screw



◆ Accessories

Type	Part number
Tightening key for U79/U	8508



◆ Tightening torque

Connector material	Torque for receptacle U79 nut	Torque for receptacle U80 nut	Torque for U77, U127 backshell
Stainless steel	15N.m	15N.m	10N.m

CMA Serie
Push-Pull / Quick-Releaseable Connector

... For an optimum data transfer in harsh environments !

Catalog

Revised 23-JUNE 2016
www.bernier.tm.fr

CMASD Serie
Push-Pull Connector

... Toughness and reliable high speed data transfer in small dimensions !

Catalog

Revised 10-JUNE 2016
www.bernier.tm.fr

CMALD Serie
Push-Pull and Quick-Releaseable Connector

... Toughness and Ergonomics allied with a high contact density configuration !

Catalog

Revised 10-JUNE 2016
www.bernier.tm.fr

MMC Serie
Compact Quick-Releaseable Connector

... for a robust and ergonomic high-speed data connection !

Catalog

Revised 10-JUNE 2016
www.bernier.tm.fr

PAM Serie
Bayonet Connector

... the good connection for your tactical equipments !

Catalog

Revised 23-JUNE 2016
www.bernier.tm.fr

55116 Serie
Bayonet Connector

... The Crypto and Audio communication standard !

Catalog

Revised 23-JUNE 2016
www.bernier.tm.fr

221 Serie
Quick-Releaseable Connector

... Easy use and communication reliability in operation !

Catalog

Revised 23-JUNE 2016
www.bernier.tm.fr

POW Serie
Power Connector

Catalog

Revised 10-JUNE 2016
www.bernier.tm.fr

360L6 Serie
Avionic Connector

... the best connection for On Board communications !

Catalog

Revised 23-JUNE 2016
www.bernier.tm.fr

B600 Serie
Quick-Releaseable Connector

... Secure connection for light vehicles !

Catalog

Revised 23-JUNE 2016
www.bernier.tm.fr

JCC Serie
Jack Connector

... For a basic but secured connection on communication equipments !

Catalog

Revised 23-JUNE 2016
www.bernier.tm.fr

U Serie
Audio Connector

... The Toughest solution for audio applications !

Catalog

Revised 23-JUNE 2016
www.bernier.tm.fr

CCF700 Serie
Coaxial connector

... the suitable connector for cockpit equipments !

Catalog

Revised 23-JUNE 2016
www.bernier.tm.fr

MH Serie
Hexagonal Connector

... suitable for command signals !

Catalog

Revised 23-JUNE 2016
www.bernier.tm.fr

BERNIER Services
Solutions • Operations • Products

... Innovation and Technologies knowledge for your project solution !

Catalog

Revised 10-JUNE 2016
www.bernier.tm.fr

Relays
H • PC16 • MTD

... The right solution for the command of Electrical/Power systems !

Catalog

Revised 23-JUNE 2016
www.bernier.tm.fr

Find more on

www.bernier.tm.fr

This catalogue and its content are BERNIER property, all rights reserved
All information contained in this catalogue can be changed without prior notice
Dimensions in mm