

Low Noise Block (LNB) Ka-Band Mini



◆ Company Overview

RevGo designs and manufactures satellite earth station RF from low to medium power. RevGo was founded in 2002 with its headquarters in the Washington DC corridor. RevGo's broad VSAT product line is produced to stringent quality standards using an ISO9001:2015 quality system:

- Block upconverter (BUC)
- Low noise block (LNB)
- Transceiver (Tx/Rx/OMT/filters)
- C-, Ku-, DBS-, Ka-bands
- 2 to 300W output power



◆ Reliability

- Highly integrated RF technologies (RFIC and GaN)
- Designed for high volume production
- Linearity optimized for high order modulation and high data rate
- Strict quality control processes resulting in <0.25% field failure rates

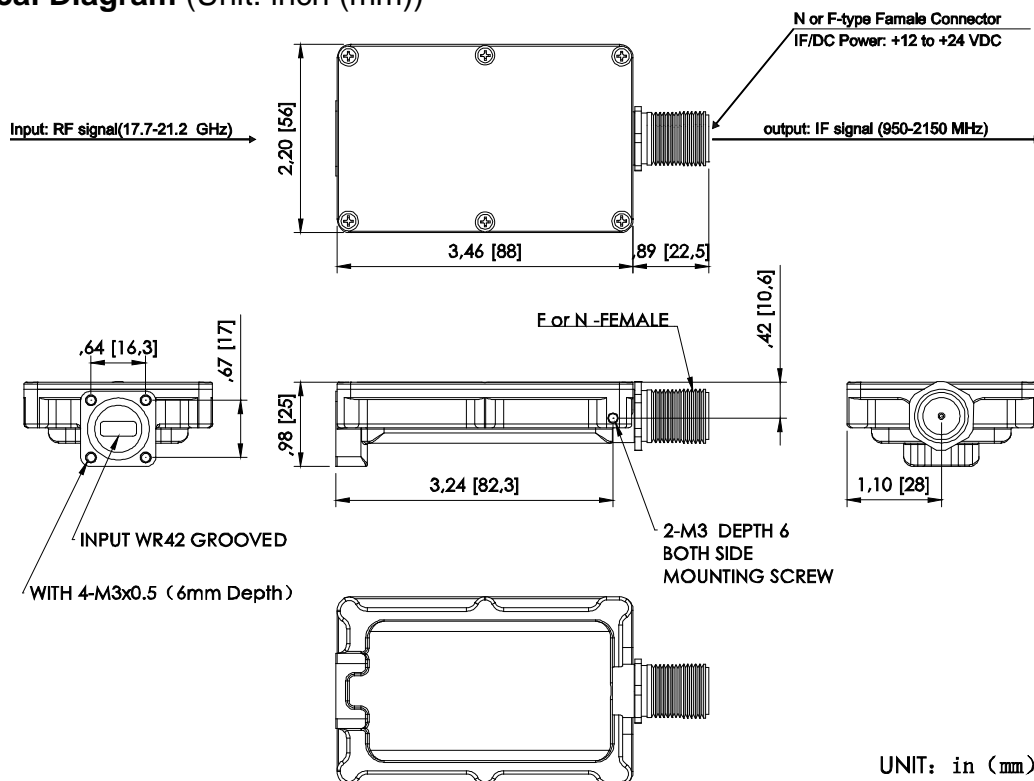
◆ Product Features

- Single-, and dual-band options (18.2-21.2 GHz)
- High LO stability (PLL design), Stability ± 1 ppm
- External reference optional
- Low phase noise (exceeds IESS308/309)
- Rugged design for extreme environments (-40 to +60oC)

◆ Typical VSAT Applications

- Maritime
- 5G Backhaul
- SNG Vehicle
- Terminals
 - Fixed
 - Portable
 - Transportable

◆ Mechanical Diagram (Unit: inch (mm))



Low Noise Block (LNB) Ka-Band Mini



SPECIFICATIONS

◆ RF Specifications

Input Frequency	
- Single-band	2: 18.2-19.2 GHz 3: 19.2-20.2 GHz 4: 20.2-21.2 GHz
- Dual-band	6: 18.2-19.2 GHz & 19.2-20.2 GHz 7: 19.2-20.2 GHz & 20.2-21.2 GHz
Output Frequency	950-1950 MHz
Noise Figure	1.5 dB (RF at band 2, 3, 6) 1.6 dB (RF at band 4, 7)
LO Stability	+/- 1 ppm External Reference (optional)
LO Leakage Level	
- IF connector	-40 dBm maximum
- RF connector	-60 dBm maximum
Conversion Gain	55 to 65 dB
Output P₋₁	20 dBm typ.
Phase Noise	-75 dBc/Hz max @ 1 KHz -85 dBc/Hz max @ 10 KHz -95 dBc/Hz max @ 100 KHz
Image Rejection	40 dBc min.
Output Spurious	-50 dBc max.

◆ Power Supply

Input Power	via IFL connector
- Single-band	12-24 VDC
- Dual-band	12-14 VDC; L-band 16-24 VDC; H-band
Power Consumption	5W

◆ Interfaces

Input Interface	WR42 (Grooved)
RF Input VSWR	2.5:1
Pwr/Output Connector	N-Type Female F-Type Female
Output VSWR	2.0:1

◆ Physical Parameters

Size (inches)	3.46*2.20*0.98
(mm)	88*56*25
Weight (lbs)	0.93
(g)	165 (F type connector) 185 (N type connector)
Operating Temperature	-40 to +60°C
Humidity	0-100% (condensing)
Altitude	0-10,000 feet ASL
Water-proof Class	IP 65

◆ Part Number / Ordering Information

R G L N - A a b c d - B 0	
a: Input Frequency 2 = 18.2-19.2 GHz 3 = 19.2-20.2 GHz 4 = 20.2-21.2 GHz 6 = 18.2-20.2 GHz 7 = 19.2-21.2 GHz	b: IF output Frequency A = 950-1950 MHz b = 1000-2000 MHz
	c: Ref Signal Stability 1 = +/- 1 ppm E = External ref signal
	d: Pwr/Output Connector N = N-type F = F-type

◆ Contact Information

Website:	www.RevGoGlobal.com	
Telephone:	+1 (703) 860-3522	
E-mail:	Sales@RevGoGroup.com	
Address:	12007 Sunrise Valley Dr., #450 Reston, VA 20191 USA	