

Panasonic recommends Windows 10 Pro.

Panasonic
BUSINESS



VEHICLE DOCK FOR TOUGHBOOK CF-54

MODEL NUMBERS: PCPE-GJ54V01/02/03

A vehicle dock specially designed for the Toughbook CF-54, from Gamber Johnson. This vehicle dock has been designed with ease of installation in mind with a small footprint to maximise space available and rear-facing ports with integrated cable management system.

Accommodating all configurations of the CF-54, this vehicle dock also has a special access area for the Smart Card Reader to facilitate insertion and ejection of cards.

Gamber Johnson has worked with Panasonic to perform the appropriate tests needed to endorse this dock to the Toughbook Certified standard.

Features

- Designed for the Toughbook CF-54 only
- Designed to MIL-STD 810G test criteria
- Push button latch with keyed lock for theft deterrence
- Rugged composite steel with black powder coat finish for long term durability
- VESA 75 mounting pattern
- Spring-loaded docking connector to ensure consistent connectivity
- Antenna on/off switch
- Rear facing ports with integrated cable strain relief and cable management system
- Accommodates many configurations including SmartCard Reader, 2nd LAN, 4th USB 2.0, rugged USB, VGA and Serial
- Docking mechanism tested to 30,000 cycles (not limited to)
- Non-electronic version available
- 1 year standard warranty (pick up and return)
- 3 and 5 year Extended Warranty and Accidental Damage Warranty options available

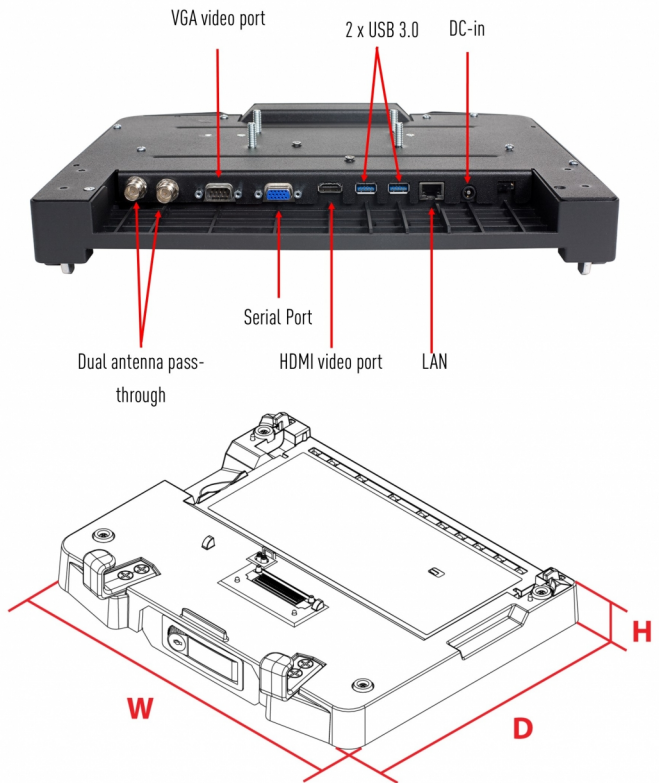
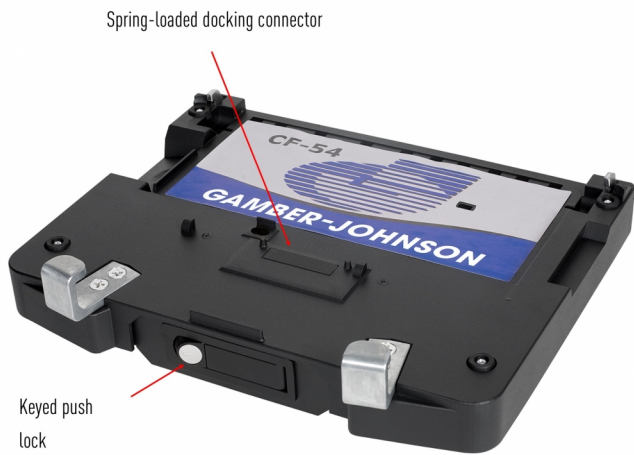
TOUGHBOOK

Panasonic recommends Windows 10 Pro.

VEHICLE DOCK FOR TOUGHBOOK CF-54

Technical specifications are subject to change without notice.

Model Number:	PCPE-GJ54V01	PCPE-GJ54V02	PCPE-GJ54V03
Antenna Pass-Through	No	Yes - Dual (TNC)	No
Lock Type	Keyed Alike		
Ports			
Power Input	15.6V DC		None
LAN	1x RJ45		-
USB	2x USB 3.0		-
Serial	1x		-
VGA	1x		-
HDMI	1x		-
Dimensions			
Width	342 mm (13.48")		
Height	89 mm (3.5")		
Depth	301 mm (11.85")		
Weight	454g (5.5 lbs)		
Device Configurations Supported:	SmartCard Reader; 2nd LAN; 4th USB (2.0); Rugged USB; VGA and Serial		



CERTIFICATIONS AND TESTING:

- . Tested to MIL-STD-810G test criteria
- . CE, RoHS, FCC
- . C-Tick, E-Mark
- . SAE J1455 Crash Test