



Single Port 30W Power-over-Ethernet Interchangeable* Wall Plug Adapter



Features

- DOE Level VI Compliant
- CoC Tier 2 Compliant
- Fully Compliant with IEEE802.3at
- Non-Vented Case
- Field Interchangeable AC Clips*
- 2.5G Data Speed
- Low Cost
- Full Protection OCP, OVP
- Diagnostic LEDs
- 1 Year Warranty

Applications

- IP Telephones
- Wireless Network Access Points
- Blue Tooth Access Points
- Security Cameras
- IP Print Servers

Safety Approvals – Pending

- cUL/UL 62368-1
- IEC 62368-1

Mechanical Characteristics

- Length: 91mm (3.58in)
- Width: 60.2mm (2.37in)
- Height: 35mm (1.38in)
- Weight: 300g (0.66lbs)

Output Specifications

| Model | DC Output Voltage | Load | | Output Power | Data Speed | Regulation ¹ | |
|---------------|-------------------|------|--------|--------------|------------|-------------------------|------|
| | | Min. | Max. | | | Line | Load |
| POE30R-1ATP-R | 56V | 10mA | 0.536A | 30W | 2.5G | +1V/-2V | |

Note:

1. Voltage measured within 5cm of output connector

INPUT:

AC Input Voltage Range
90 to 264VAC

AC Input Voltage Rating
100 to 240VAC

AC Input Current
0.8A (RMS) max

Leakage Current
0.25mA max

AC Input Frequency
47-63Hz

AC Inrush Current
70A max for 240VAC
Using Chroma 61504 AC Source
(Cold Start @ 25°C), (CPK > 1.5 at PP)

OUTPUT:

Total Output Power
30W @40°C
15W @50°C

Ripple³
200mV max @25°C

Efficiency⁴
DOE Level VI, CoC Tier 2

Transient O/P Voltage Protection
60V max at switch on/off, any AC line phase

ENVIRONMENTAL:**Temperature**

Operation -10 to +50°C
Non-operation -20 to +70°C
Operating Humidity 5% to 90% RH

EMC

Complies with FCC Part 15 Class B
Complies with EN55032 Class B

Immunity

Harmonic: EN61000-3-2 Class A
ESD: EN61000-4-2 Contact 8KV
Air 15KV. Criteria A
RS: EN61000-4-3 3V/M
EFT: EN61000-4-4 1KV, Criteria A
Surge: EN61000-4-5 L-L 2KV,
Criteria A
CS: EN61000-4-6 3V
Voltage Dips EN61000-4-11 Class 3

Dielectric withstand (HI-POT)

4242VDC for 1 min., 10mA

Insulation Resistance

Primary to Secondary: >10M OHM 500VDC

FEATURES:**Over Current Protection**

≤750mA

Over Voltage Protection

<60VDC for <0.2 seconds. Non-latching.

Short Circuit Protection

Non-latching. Auto-recovery.

Hold-up Time

10mS min. 120VAC/60Hz and max load

Data in/Output Connector

Unshielded RJ45

Output Connection

+pin 3,6 / -pins 1,2

Warranty

1 Year

Notes:

- The characteristics defined are at ambient temperature of 25°C unless otherwise specified
- Measured with by-pass capacitors 0.1uF/10uF at output connector terminal and oscilloscope set at 20Mhz (tested by oscilloscope). 20 minutes warm-up required when operating at negative temperature.
- Efficiency is measured after 30 minutes burn-in

LED Indicators

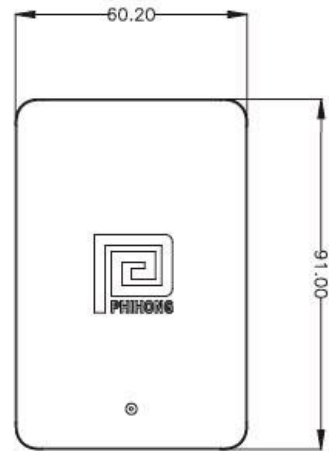
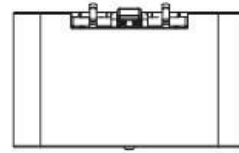
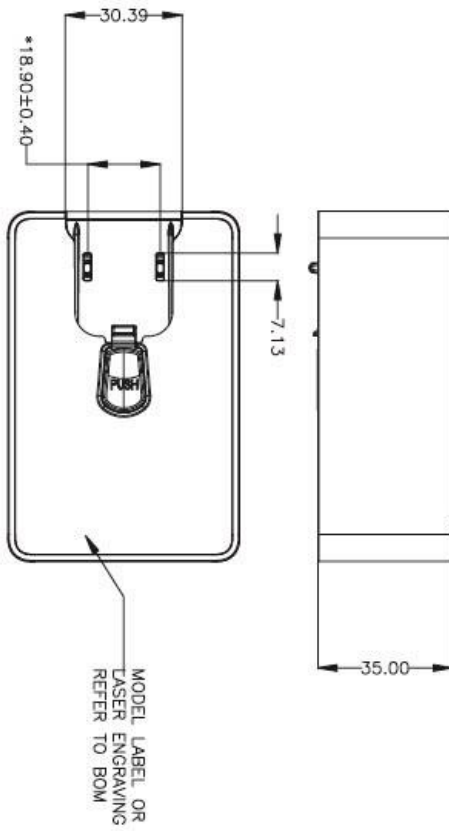
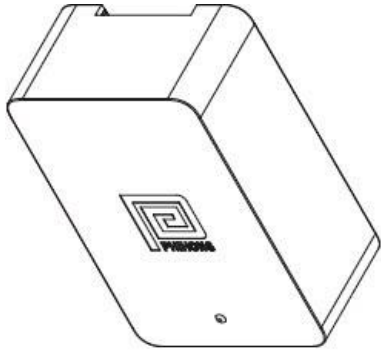
Green blinking 1 per 3 seconds – Power Good
Green LED blinking 1 per 5 seconds – No connection
Yellow LED blinking – No Load
Green/Yellow fast blink – Fault Detected
Yellow solid – Over/Short Current Detected

AC Input Clips (sold separately)

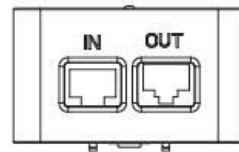
RPA– AB01B-H: US
RPB–AB01B-H: Brazil
RPC– AB01B-H: China
RPE– AB01B-H: Europe
RPH – AB01B-H: Korea
RPI– AB01B-H: India
RPK– AB01B-H: UK
RPN – AB01B-H: Argentina
RPS – AB01B-H: Australia
RPBAG – AB01B-H: RPA-AB01B-H, RPE-AB01B-H, RPK-AB01B-H and RPS-AB01B-H

PRELIMINARY

Dimensional Diagram Unit: mm


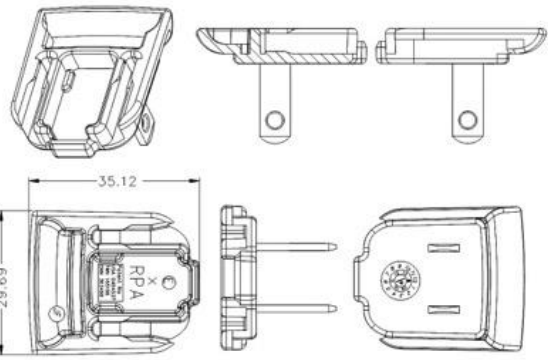

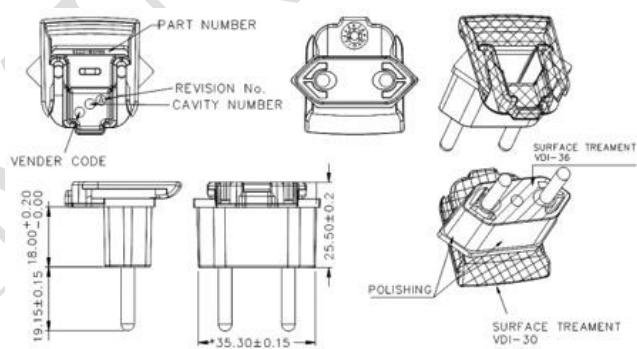

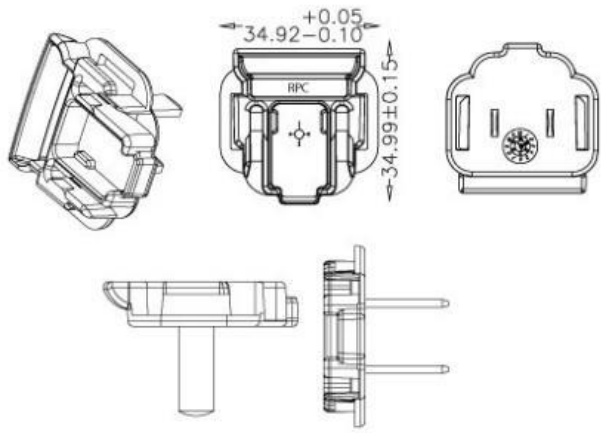



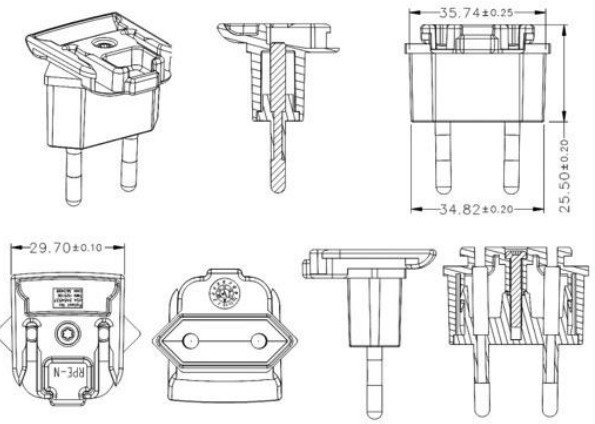

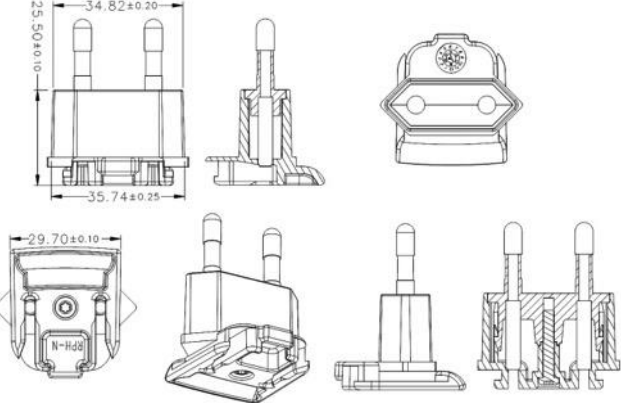

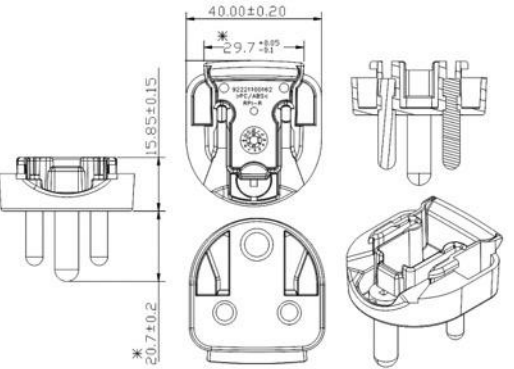

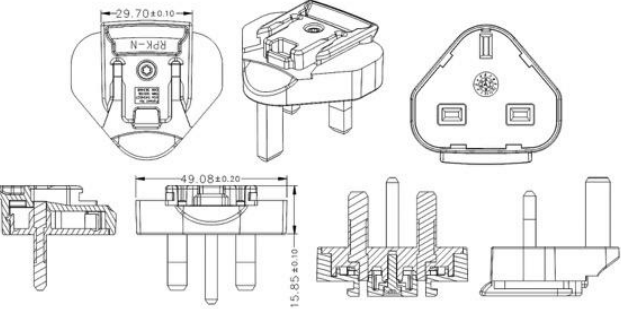
11


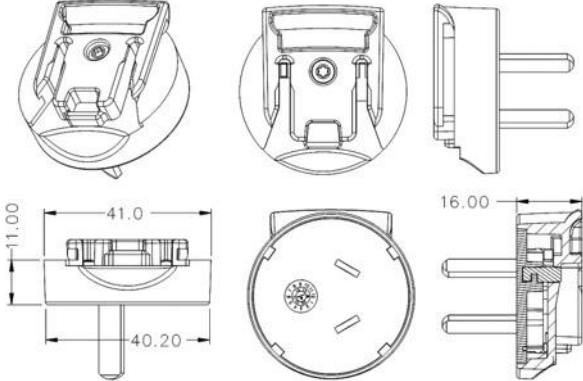

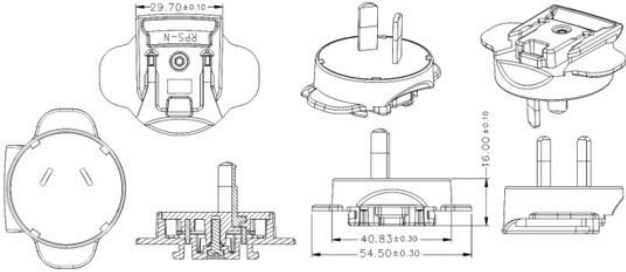





AC Input Clips – Sold Separately

| Model | Photo | Description | Outline Drawing - mm |
|-------------|---|-------------|--|
| RPA-AB01B-H |  | US Clip |  |
| RPB-AB01B-H |  | Brazil Clip |  |
| RPC-AB01B-H |  | China Clip |  |

| | | | |
|--------------------|---|--------------------|--|
| <p>RPE-AB01B-H</p> |  | <p>Europe Clip</p> |  |
| <p>RPH-AB01B-H</p> |  | <p>Korea Clip</p> |  |
| <p>RPI-AB01B-H</p> |  | <p>India Clip</p> |  |
| <p>RPK-AB01B-H</p> |  | <p>UK Clip</p> |  |

| | | | |
|----------------------|---|-----------------------|--|
| <p>RPN-AB01B-H</p> |  | <p>Argentina Clip</p> |  |
| <p>RPS-AB01B-H</p> |  | <p>Australia Clip</p> |  |
| <p>RPBAG-AB01B-H</p> | <p>RPA-AB01B-H, RPE-AB01B-H, RPK-AB01B-H and RPS-AB01B-H interchangeable clips in a plastic bag.</p>  | | |