

SERIES 04JT Joystick with Tactile Feel

FEATURES

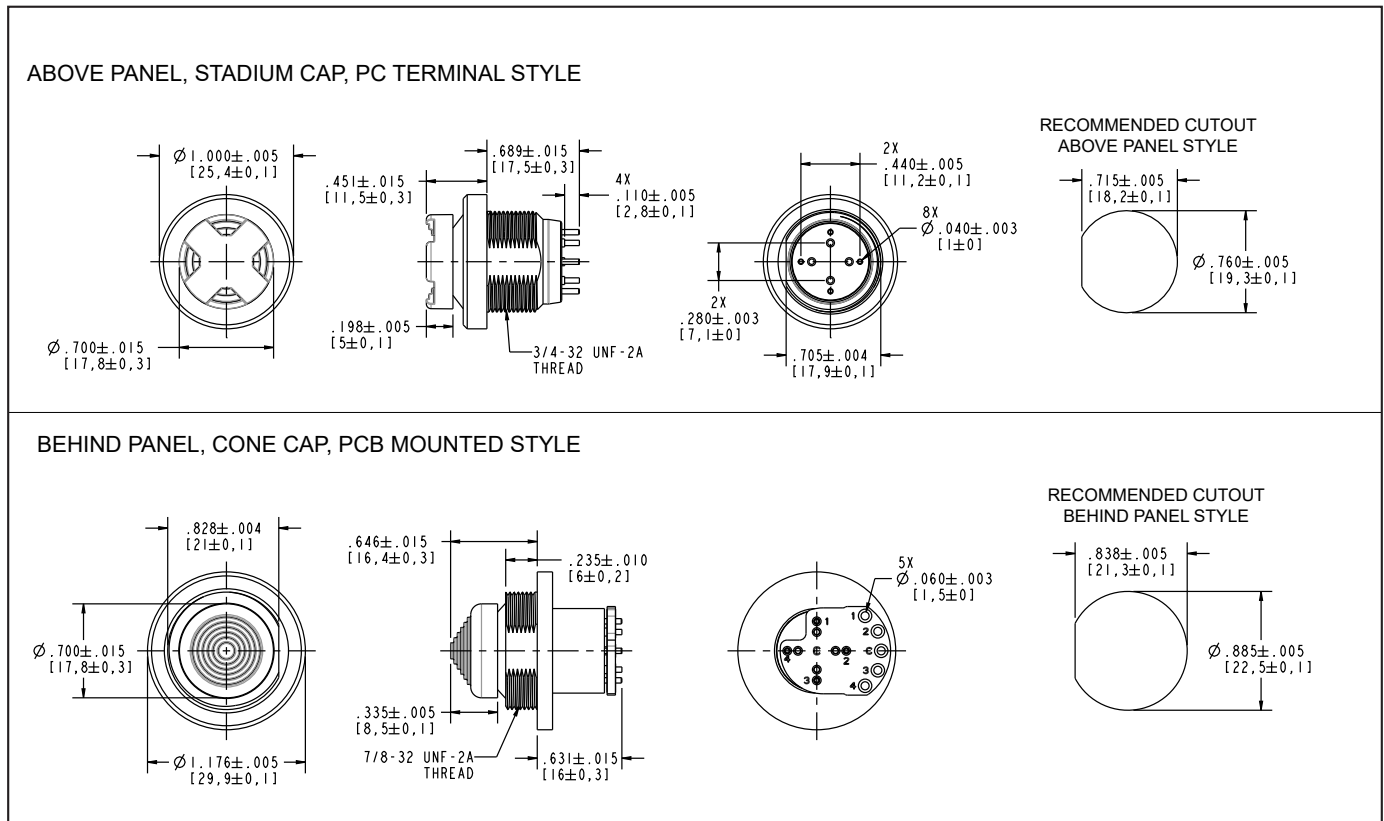
- Dynamically sealed against contamination to IP67 when properly mounted
- Available in above and below panel mount
- RoHS compliant
- High life (250,000 Operational Cycles)
- Short behind panel length (0.689")



DESCRIPTION

Series 04JT is a single pole, 4-way toggle switch with a tactile feel. 4-way contact is made in the opposite direction of travel.

DIMENSIONS in inches (and millimeters)



ELECTRIC & MECHANICAL RATINGS

- Lower Level Rating:** 10mA (max) Resistive @ 5VDC
- Contact Resistance:** 50mΩ (max)
- Operating Temperature:** -55°C to +85°C
- Operational Life:** 250,000 cycles
- Insulation Resistance:** 10,000M ohms
- Toggle Lever Travel:** 12° from center (max)
- Toggle Operating Force:** 16 oz ± 6 oz initial
- Toggle Pivot & Stop Strength:** 25 lbs. (max)

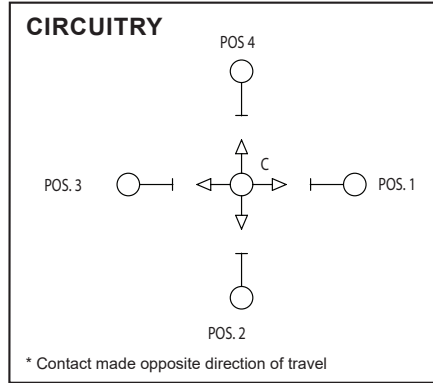
- Mechanical Shock:** per MIL-STD-810, procedure I, method 516.4
- Immersion:** per MIL-PRF-8805, sealed to IP67
- Moisture Resistance:** per MIL-DTL-9419
- Vibration:** per MIL-DTL-9419G, Method 4.7.11
- Terminal Strength:** Over 30 lbs. for 1 minute, per MIL-DTL-9419G, Paragraph 4.7.6
- Altitude:** Up to 60,000 ft per MIL-DTL-9419G, Paragraph 4.7.16
- Solderability:** per MIL-DTL-9419G, Paragraph 4.7.19

MATERIALS & FINISHES

- Cap:** Thermoplastic
- Bushing:** Aluminum alloy (black chrome finish)
- Contact Terminals:** 1/2 hard brass (gold over silver over nickel plating)
- Hex Nut:** Aluminum alloy (black chrome finish)
- O-Ring:** 50 durometer fluorosilicone
- Spanner Nut:** Stainless Steel (black chrome finish)

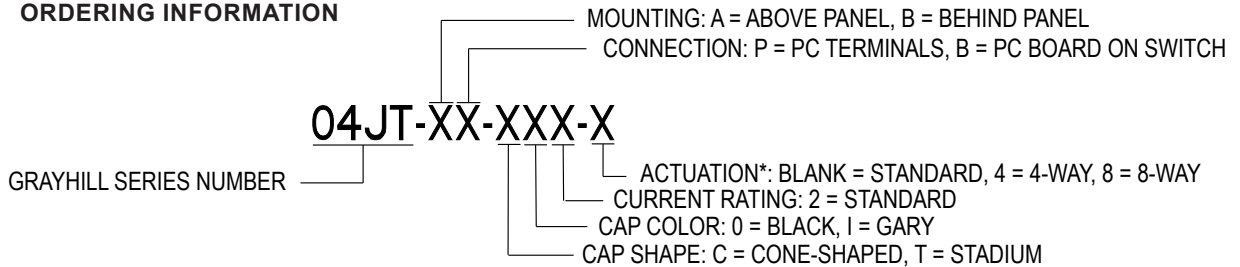


Snap Action Joysticks



Joysticks

ORDERING INFORMATION



*ACTUATION DESCRIPTIONS

STANDARD OPTION IS MAKE-BEFORE-BREAK WHEN ROLLING ACTUATOR BETWEEN ADJACENT POSTPOSITIONS.
DIAGONAL ACTUATION FROM CENTERING DOES NOT ACTIVATE EITHER ADJACENT POSITION.

4-WAY OPTION IS BREAK-BEFORE-MAKE PREVENTING ADJACENT POSITIONS FROM BEING ACTIVE SIMULTANEOUSLY.
DIAGONAL ACTUATION FROM CENTER DOES NOT ACTIVATE EITHER ADJACENT POSITION.

8-WAY OPTION ALLOWS ACTIVATION OF TWO ADJACENT POSITIONS DIRECTLY FROM CENTER WITH DIAGONALLY ACTUATION